



Bullet™ III GPS Antenna

KEY FEATURES

- Weatherproof housing
- Extended temperature range (-40°C / +90°C)
- Proven extra rugged, reliable
- Available in 3.3V (TNC) or 5V (TNC or F)
- RoHS-II Compliant

Bullet™ III GPS L1 Band Antenna

Whatever the environment—the Trimble® Bullet™ III GPS antenna will perform, year after year. The Bullet III antenna provides a perfect solution for manufacturers who need a fixed-site, rooftop GPS antenna.

This antenna is also a high-quality solution for adding GPS RF signals for marine GPS navigation systems.

Put it anywhere

The antenna is housed in weatherproof packaging designed to withstand exposure to shock, vibration, extreme temperatures, rain, snow and sunlight

The dome is all plastic, and the threaded socket in the base of the antenna. The socket accepts either a 1"-14" straight thread (typical marine antenna mount) or a 3/4" pipe thread.

The F-type or TNC antenna connector is located inside the threaded socket, which allows the antenna cable to be routed inside a mounting pole and protects the cable connection.

Strong Performance

The Bullet III antenna is an active GPS L1 band antenna with 5V DC and 3.3V DC options. The high gain preamp allows the Bullet III antenna to be used with up to 75 feet of RG-59 cable



Proven Reliability

For over 25 years, Trimble has sold GNSS antennas renowned for their survivability in tough environments. The Bullet III GPS antenna is the fourth generation of the proven Bullet antenna family and offers all the reliability and performance benefits that are required for mission critical installations.

In unforgiving environments, an antenna failure could be disastrous. Don't risk it. Select a proven GNSS antenna – the Trimble Bullet III GPS antenna.

Bullet™ III GPS Antenna

ENVIRONMENTAL SPECIFICATIONS

Operating Temperature.....-40°C to +90°C
 Storage Temperature.....-40°C to +90°C
 Vibration..... 10 – 200 Hz Log sweep
 3g (Sweep time 30 minutes) 3 axes
 Shock.....50g vertical, 30g all axes
 Humidity Soak.....+60°C @ 95% RH, 96 hours
 Corrosion Salt Resistant.....5% Salt spray tested, 96 hours

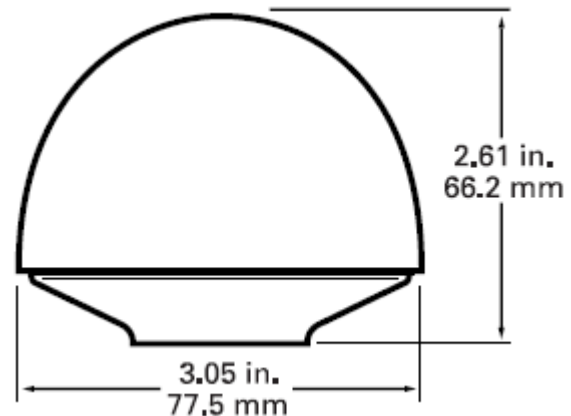
PHYSICAL CHARACTERISTICS – 3.3V & 5V DC ANTENNAS

Dimensions.....3.05" D x 2.61" H (77.5mm x 66.2mm)
 Weight.....7.0oz (200grams)
 Enclosure.....Off-white plastic
 Connector.....F-type & TNC (5V) – TNC (3.3V only)
 Mounting.....1" – 14" thread or 3/4" pipe thread

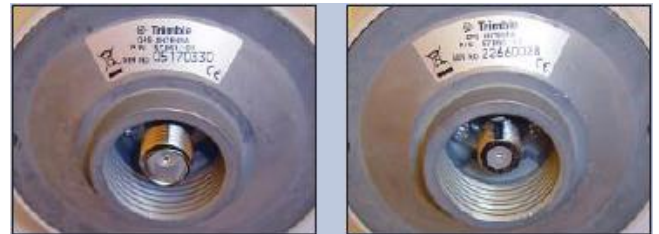
TECHNICAL / PERFORMANCE SPECIFICATIONS

Feature	3.3V	5.0V
Prime Power	3.3V DV (±10%)	5.0V DV (±10%)
Power Consumption	<20mA	<30mA
Gain	28dB ± 3dB	30dB ± 3dB
Output Impedance	50Ω	
Frequency	GPS L1 1575.42 ±1.023MHz	
VSWR	2.0 maximum	
Axial ratio	90°: 4 dB maximum; 10°: 6 dB maximum	
Noise	3.0dB (typical)	
Bandwidth (10dB RL)	50 MHz (min)	
Out of Band rejection	fo= 1575.42MHz fo ±20 MHz: 7 dB min fo ±30 MHz: 12 dB min fo ±50 MHz: 20 dB min fo ±100MHz: 30dB min	
Azimuth coverage	360° (omni-directional)	
Elevation coverage	0°-90° elevation (hemispherical)	0°-90° elevation (hemispherical)
ESD	IEC 61000-4-2	

MECHANICAL



CONNECTORS



GENERAL INFORMATION & ACCESSORIES

Please go to www.trimble.com/timing for the latest documentation and tools, part numbers and ordering information.

NORTH AMERICA

Trimble Navigation Limited
 Corporate Headquarters
 935 Stewart Drive
 Sunnyvale, CA 94085
 Phone: +1 703 237 7400
timing@trimble.com

EUROPE

Trimble Navigation Europe
 Phone: +4670-544-1020

KOREA

Trimble Export Ltd. Korea
 Phone: +82-2-555-5361

CHINA

Trimble Navigation Ltd. China
 Phone: +86-10-8857-7575

